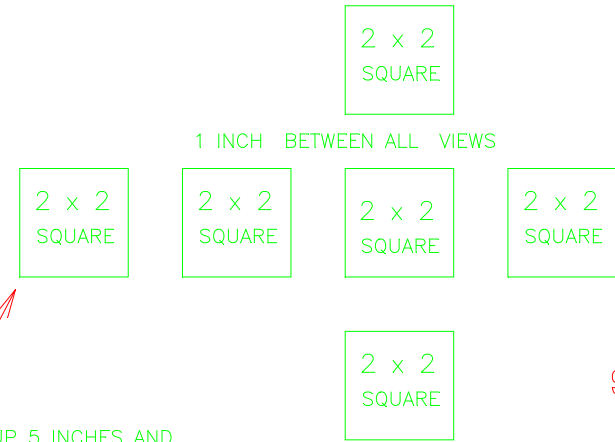


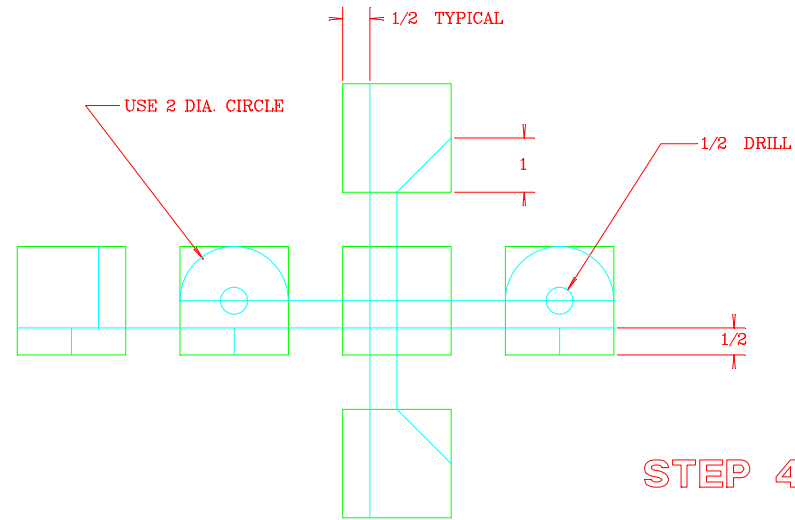
DRAW BOXES WITH LIGHT LINES



UP 5 INCHES AND 2 INCHES FROM LEFT FOR STARTING POINT

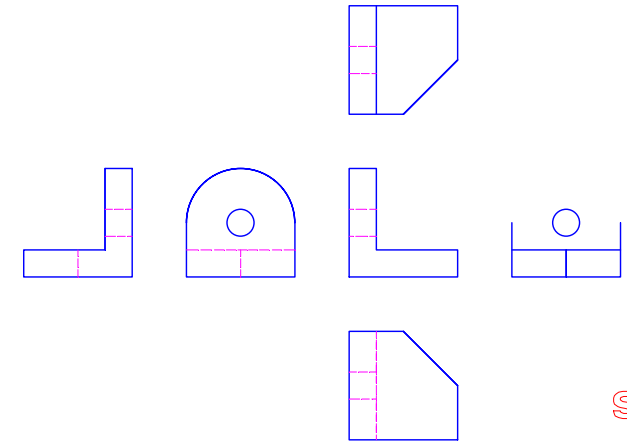
STEP 1

DWG. BY: YOUR NAME



STEP 4

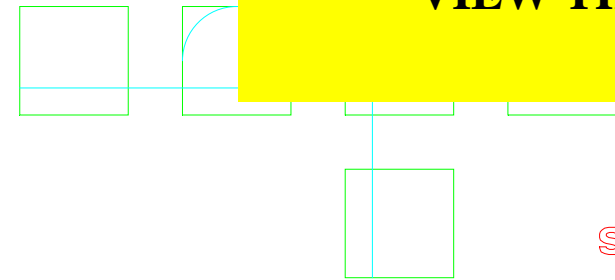
DWG. BY: YOUR NAME



STEP 7

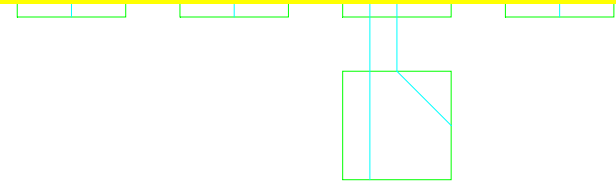
DWG. BY: YOUR NAME

**THIS FIRST PAGE PROVIDES AN OVERVIEW OF THE MANY STEPS IN THIS LESSON. VIEW THE DETAILED PAGES BY MOUSE SELECTING THE BOOKMARKS TO THE LEFT.**



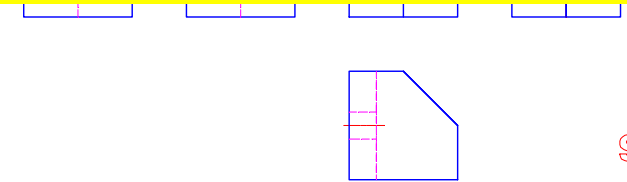
STEP 2

DWG. BY: YOUR NAME



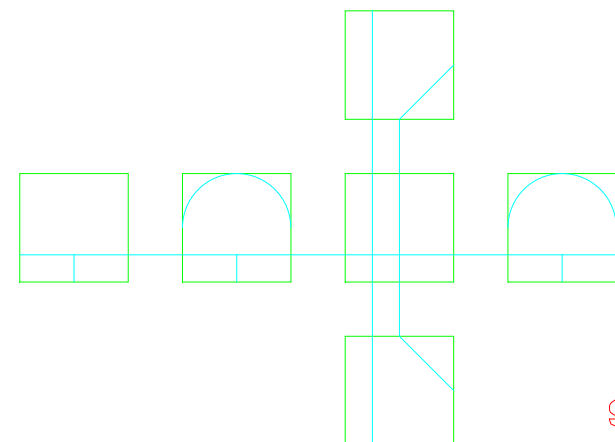
STEP 5

DWG. BY: YOUR NAME



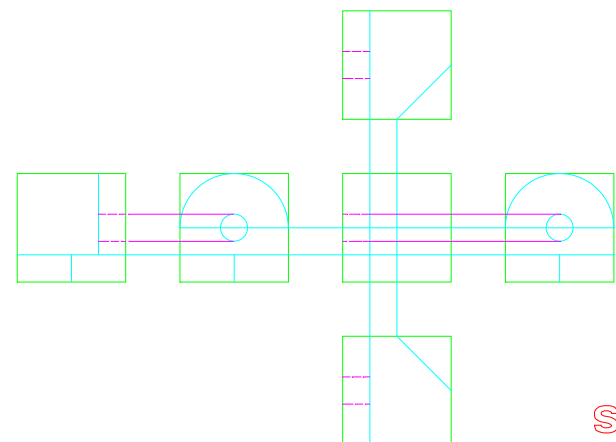
STEP 8

DWG. BY: YOUR NAME



STEP 3

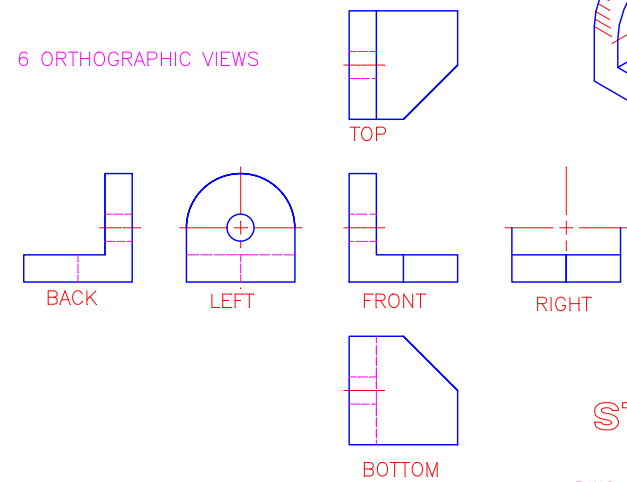
DWG. BY: YOUR NAME



STEP 6

DWG. BY: YOUR NAME

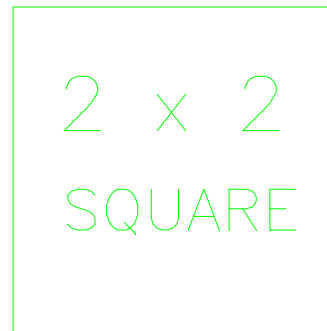
6 ORTHOGRAPHIC VIEWS



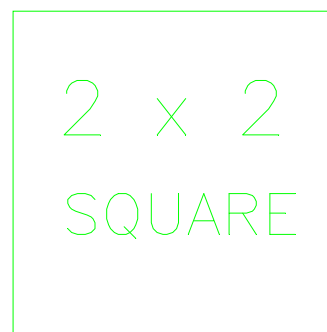
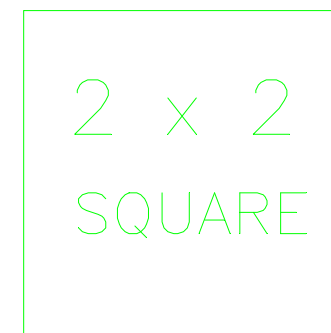
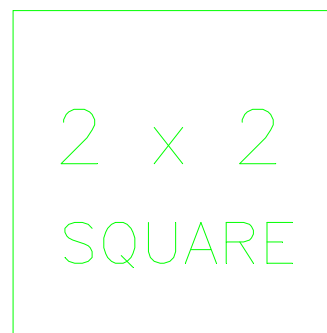
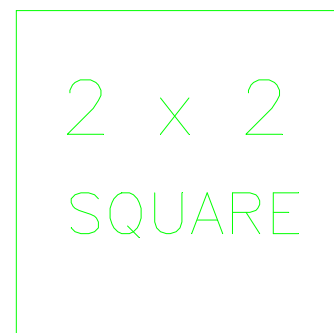
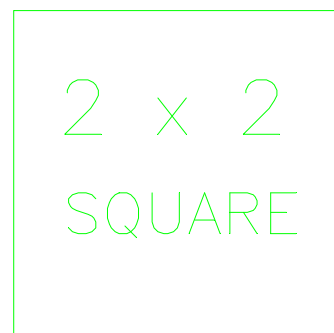
STEP 9

DWG. BY: YOUR NAME

DRAW BOXES WITH LIGHT LINES



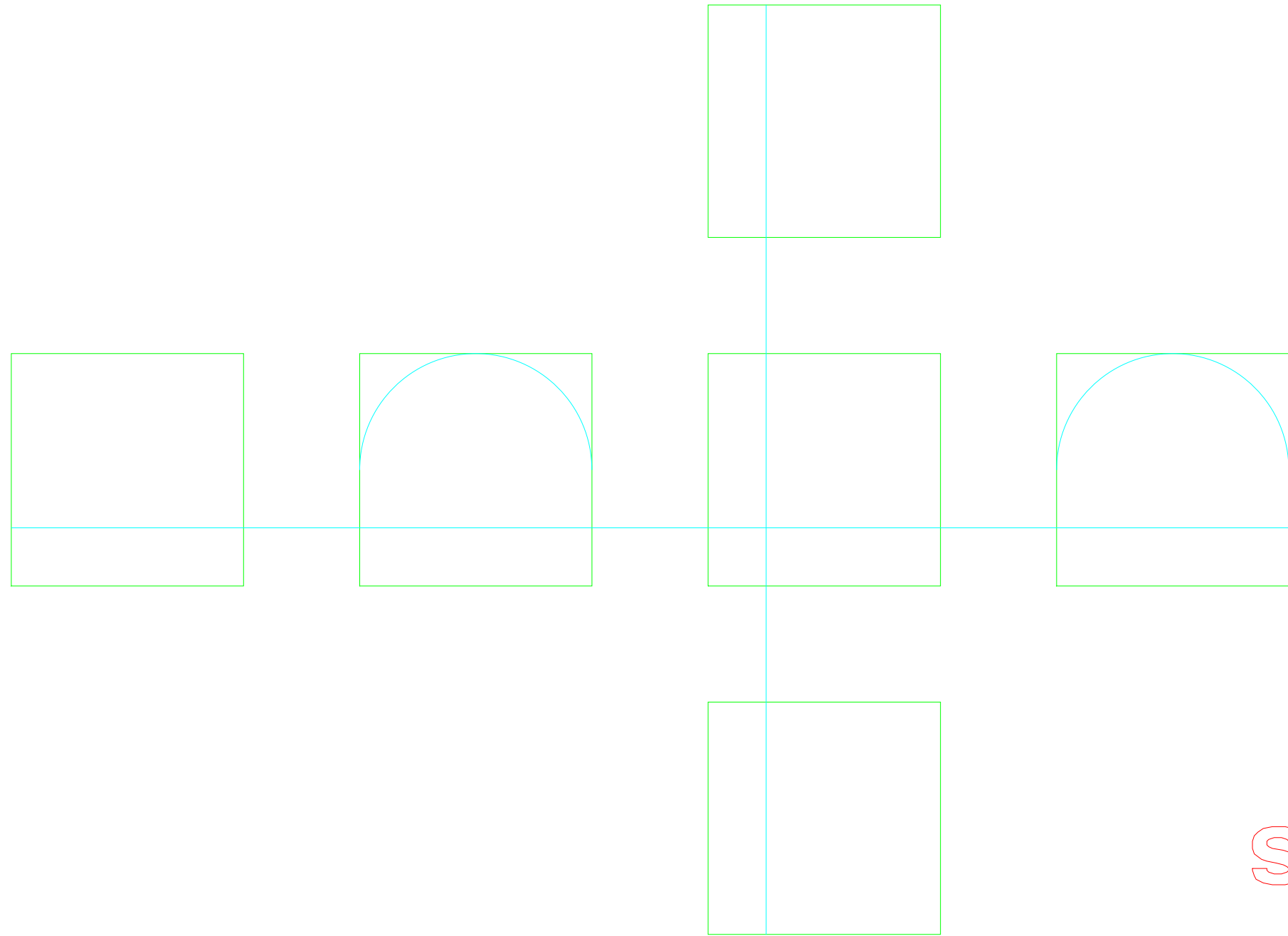
1 INCH BETWEEN ALL VIEWS



STEP 1

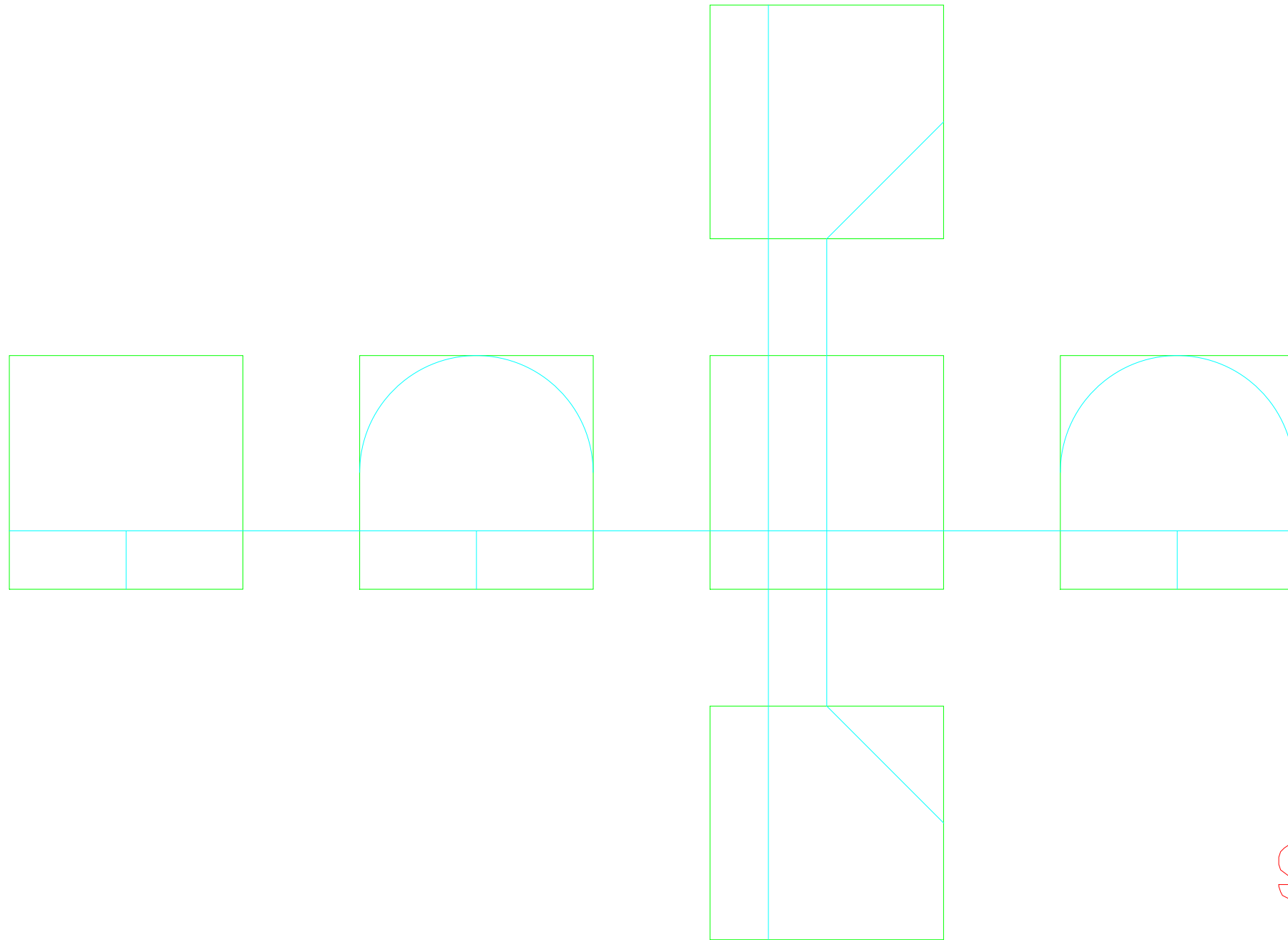
UP 5 INCHES AND  
2 INCHES FROM LEFT  
FOR STARTING POINT

DWG. BY: YOUR NAME



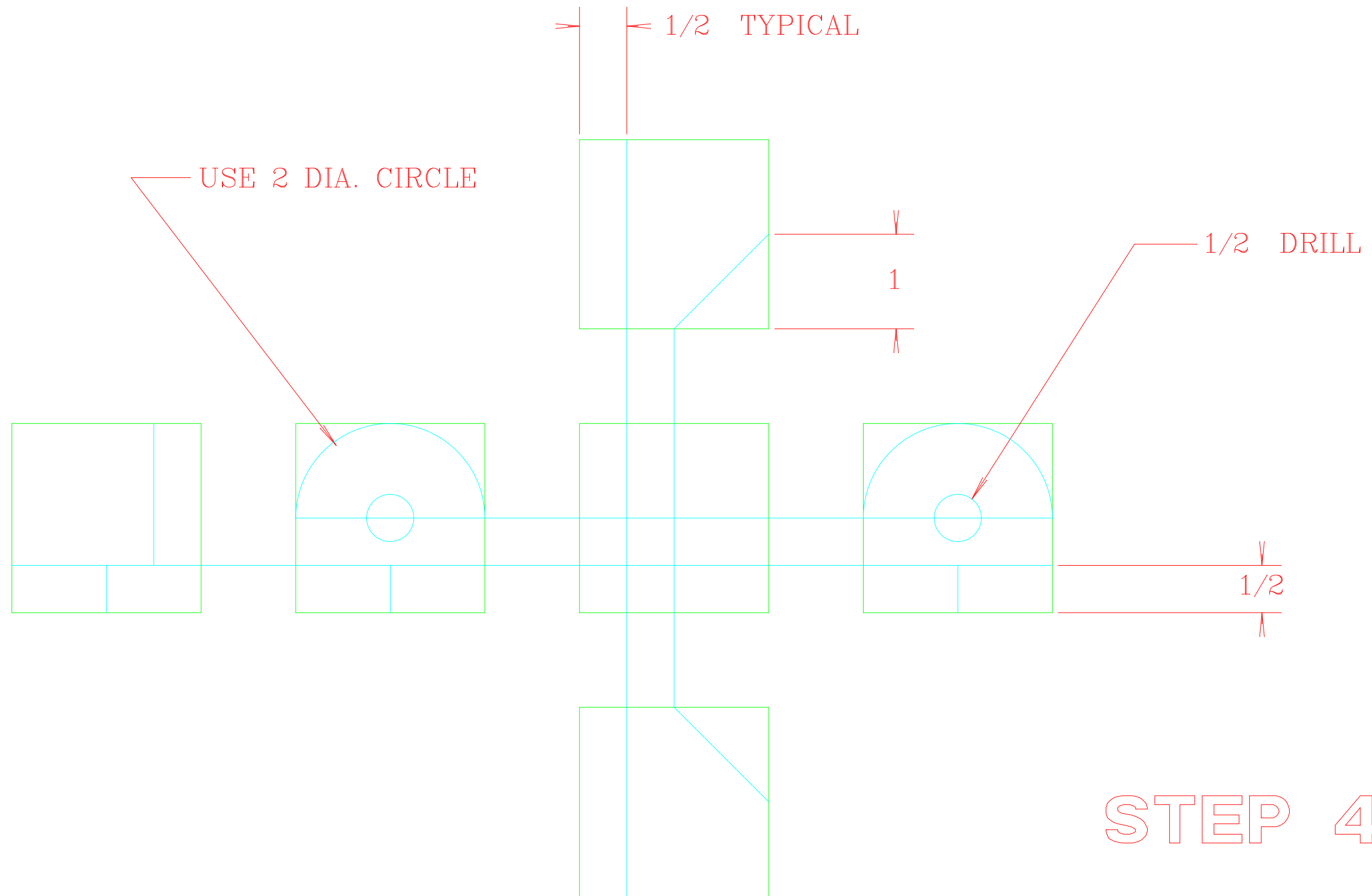
STEP 2

DWG. BY: YOUR NAME



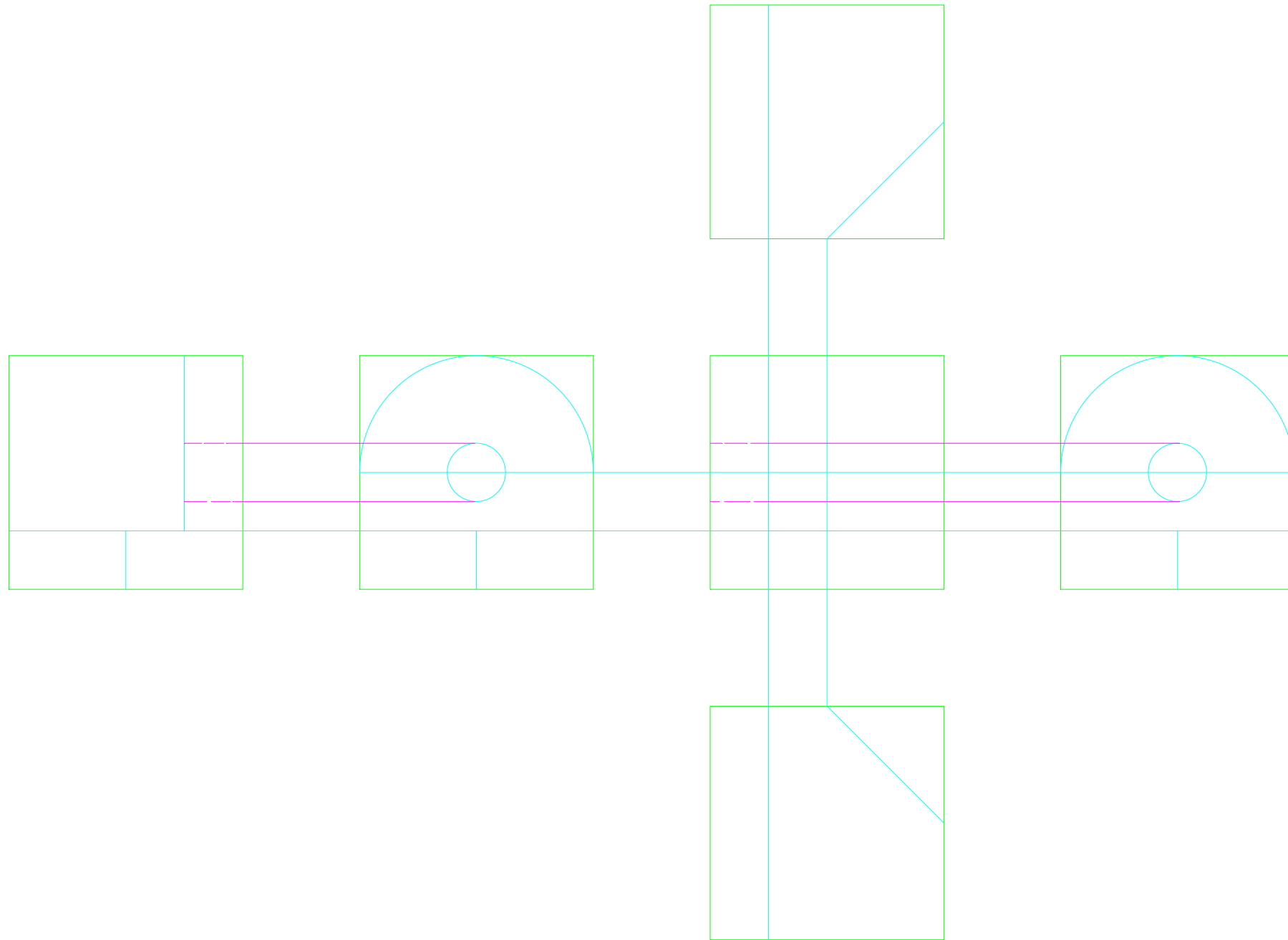
STEP 3

DWG. BY: YOUR NAME



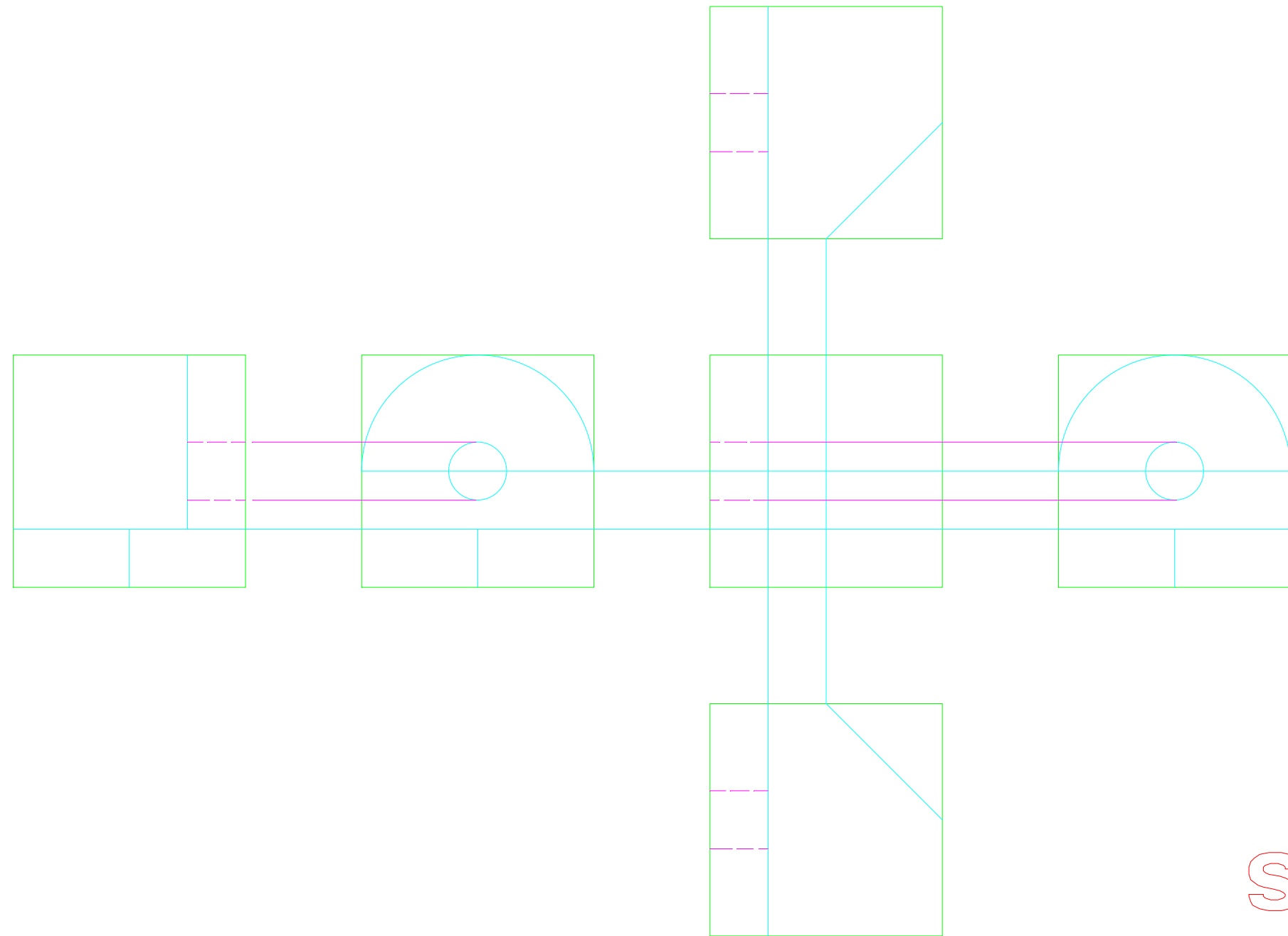
STEP 4

DWG. BY: YOUR NAME



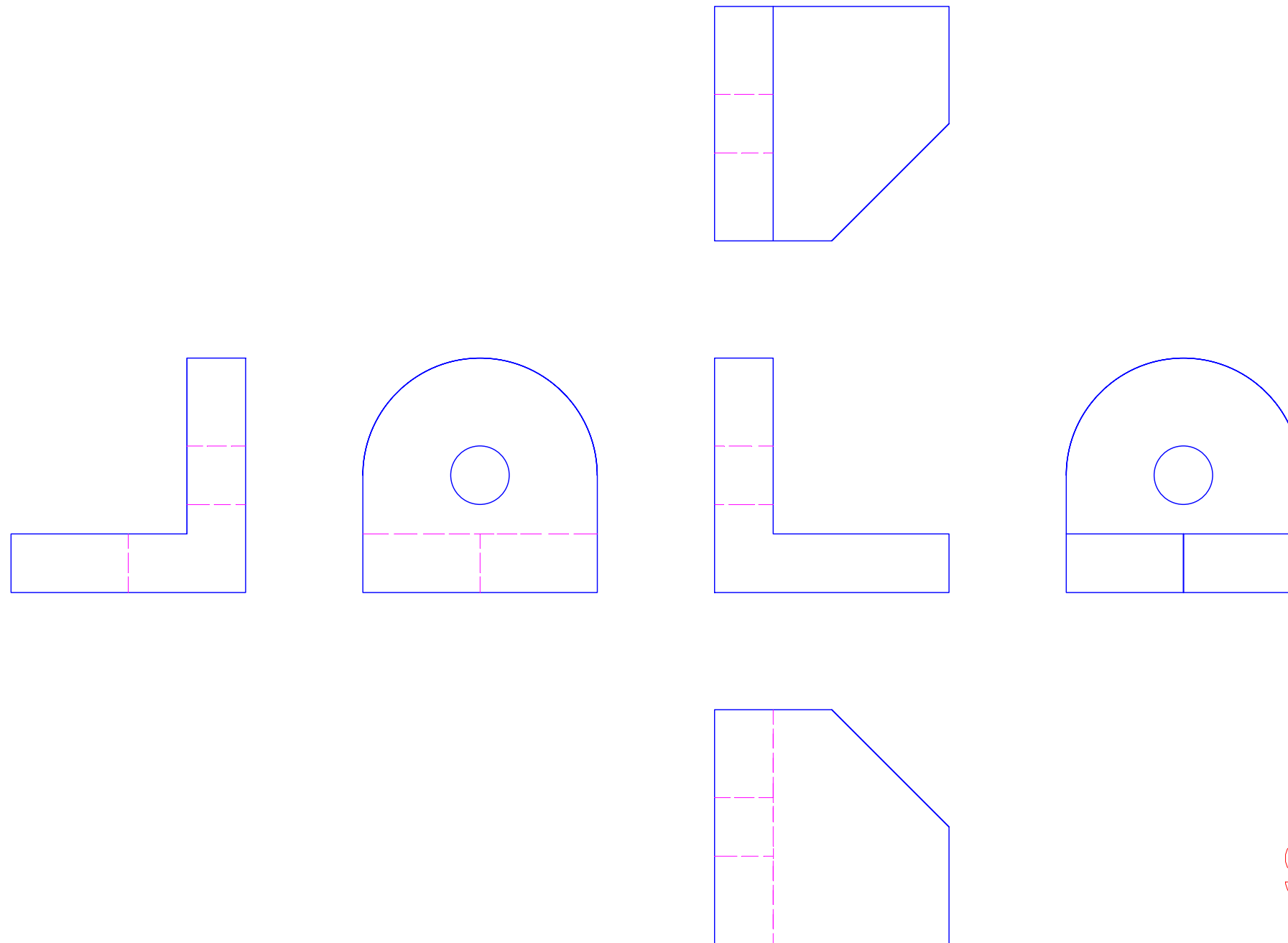
STEP 5

DWG. BY: YOUR NAME



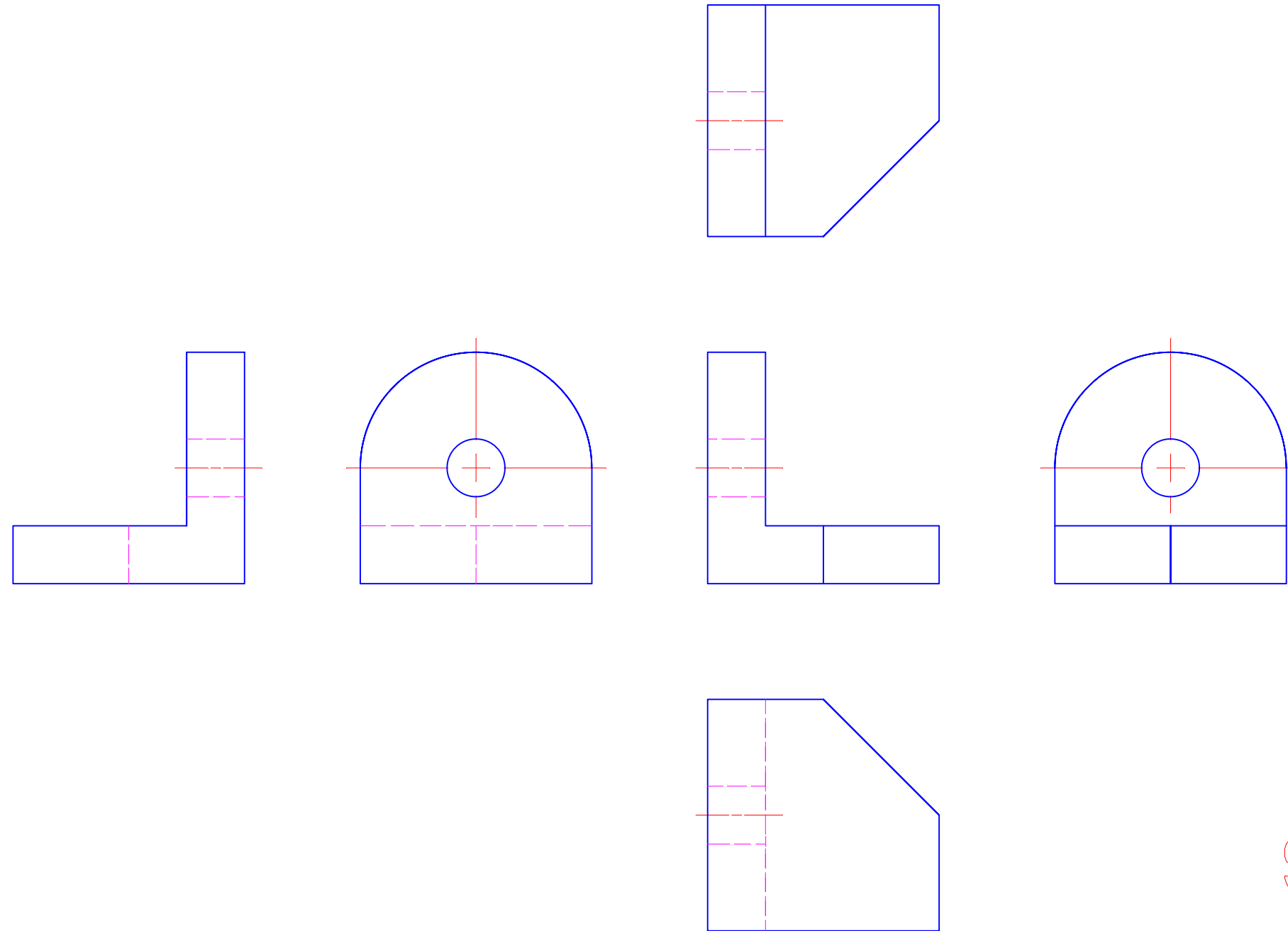
STEP 6

DWG. BY: YOUR NAME



STEP 7

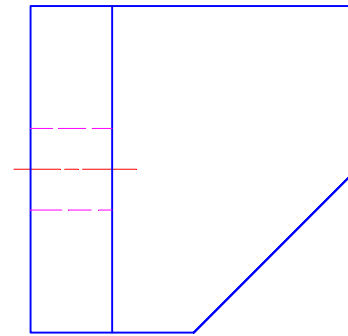
DWG. BY: YOUR NAME



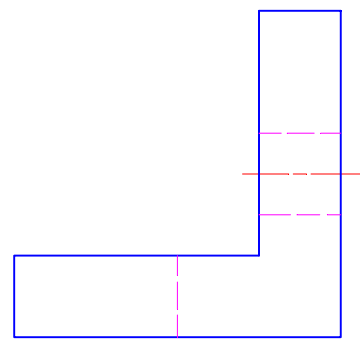
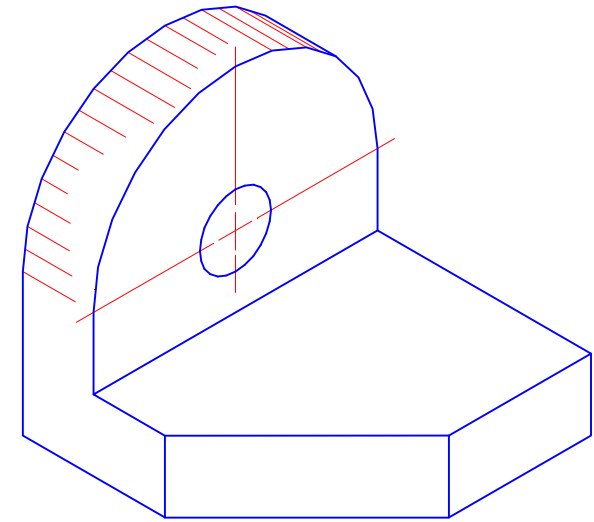
STEP 8

DWG. BY: YOUR NAME

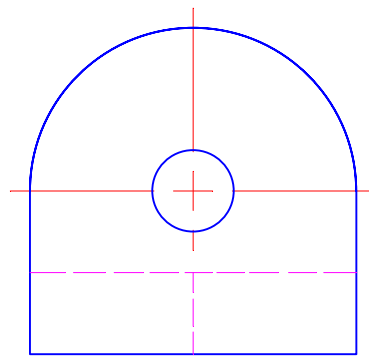
6 ORTHOGRAPHIC VIEWS



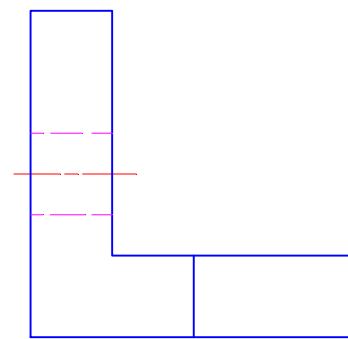
TOP



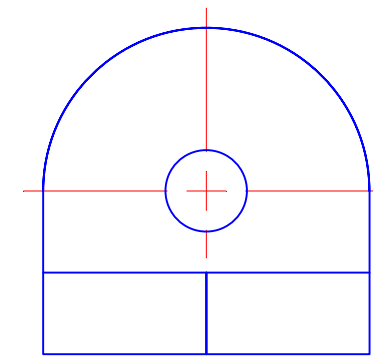
BACK



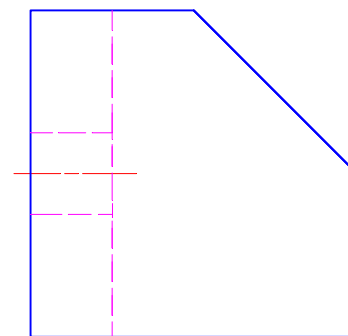
LEFT



FRONT



RIGHT



BOTTOM

STEP 9

DWG. BY: YOUR NAME