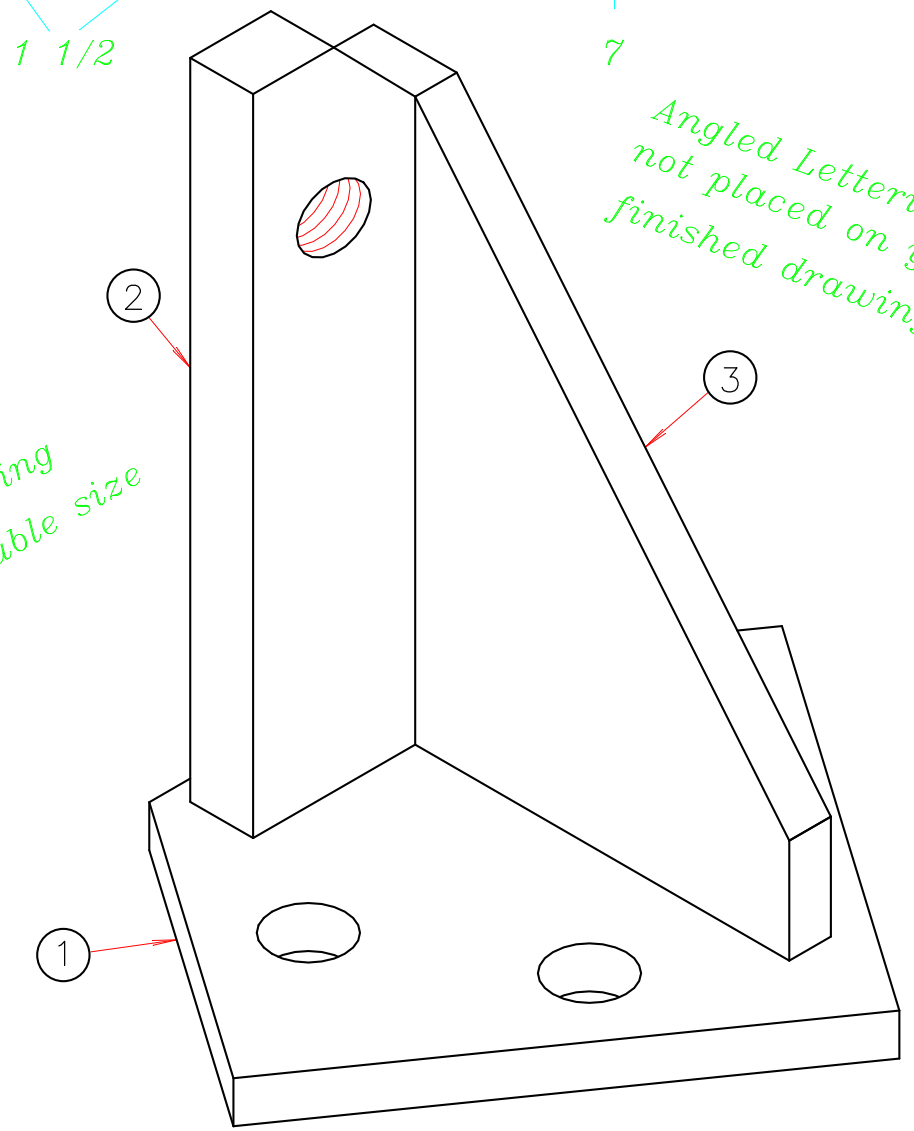


### CUTTING SCHEDULE

NO.	REQ'D	DESCRIPTION	MATERIAL
1	1	5 3/4 X 1/2 PL - 5 3/4 LONG	SAE 1020
2	1	2 X 3/4 BAR - 7 3/4 LONG	SAE 1020
3	1	5 1/2 X 1/2 PL - 6 3/4 LONG	SAE 1020

*1/4" lettering  
used on drawing  
titles are double size*



**TRUSS SUPPORT**  
SCALE: HALF SIZE

12

TRUSS SUPPORT    SCALE: HALF SIZE    YOUR NAME HERE